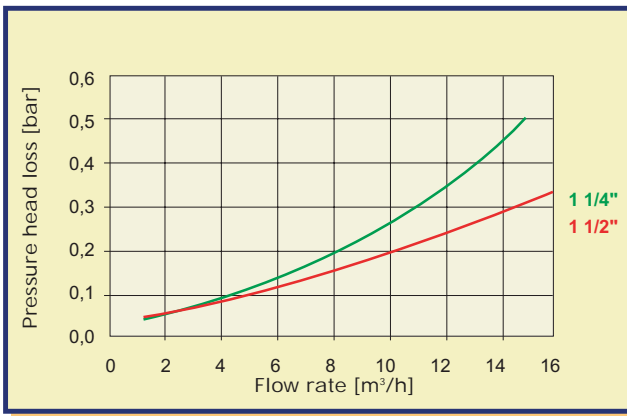
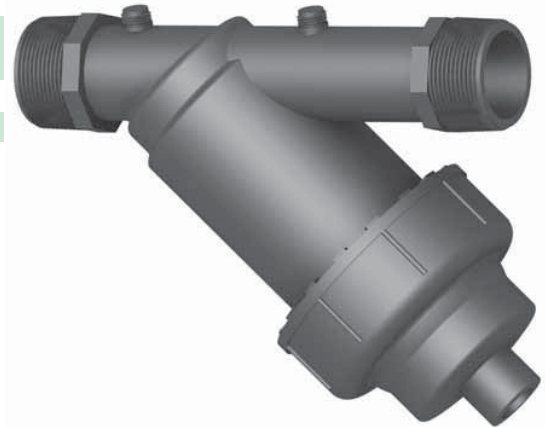


FLE

irritec

TECHNICAL CHARACTERISTICS

Polypropylene filter	
Closing system:	with threaded cover
Max. pressure:	8 bar at 20°C
Nominal flow rate:	10 m ³ / h
Filtering cartridge:	stainless steel screen polyester screen (220 cm ²) - Disks (260 cm ²)
Cartridge diameter	58 mm
Cartridge length	156 mm
Available connections: 1 1/4" - 1 1/2" (BSP-NPT)	

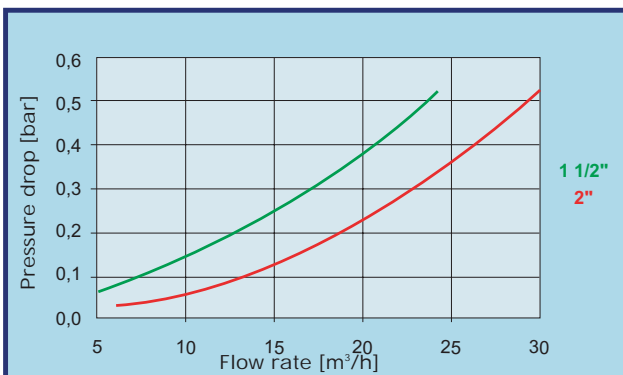


Diagrams obtained during lab tests at room temperature, with fresh water and free discharge, and a 120 mesh filter.

FLF

TECHNICAL CHARACTERISTICS

Polypropylene filter	
Closing system:	with threaded cover
Max. pressure:	8 bar at 20°C
Nominal flow rate:	20 m ³ / h
Filtering cartridge:	stainless steel screen polyester scre (450 cm ²) - Disks (500 cm ²)
Cartridge diameter	86 mm
Cartridge length	198 mm
Available connections 1 1/2" - 2" (BSP-NPT)	



Diagrams obtained during lab tests at room temperature, with fresh water and free discharge, on a 120 mesh filter.