

Dorot Back Flushing Valve- Model 51 & 52

2" / 50mm Brass body, 3-directional, double-chamber valve for back-flushing of filtration batteries



Features:

- Simple, compact design
- Double chamber structure
- Non-metallic actuator construction
- Super-fast position change
- In-line maintenance
- Easy installation, no special tools or expertise required.
- Straight or angle flow with easy conversion from one model to the other, offering maximum flexibility to system design

Operating principle:

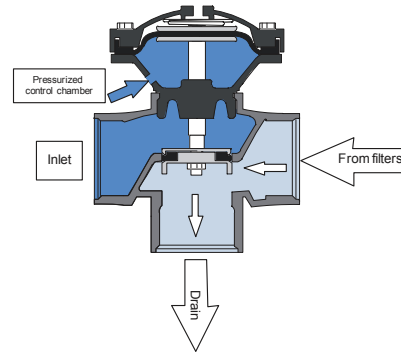
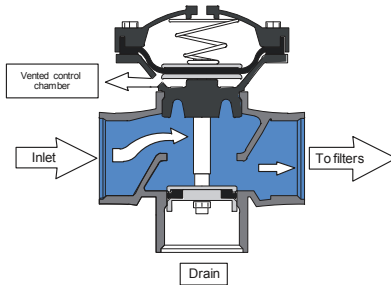
Filtration mode

Control chamber is de-pressurized -
The valve is in filtration mode

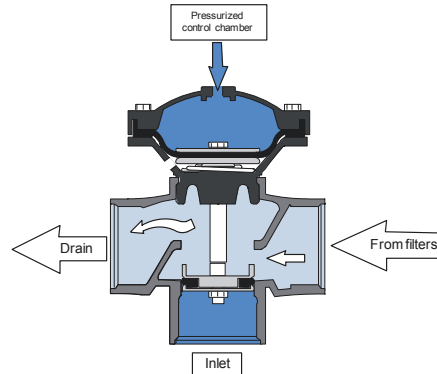
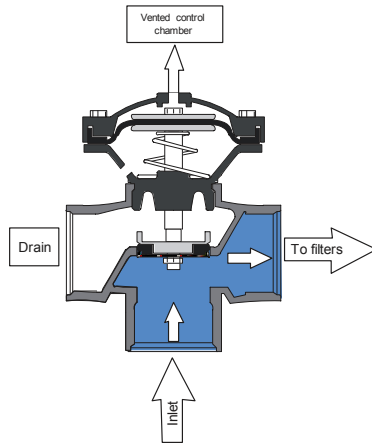
Back-Flushing mode

Control chamber pressurized -
The valve is in flushing mode

Model 51



Model 52



Dimensions & weights:

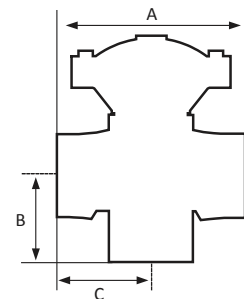
Inlet / Outlet/ Drain		Dimensions mm / inch			Weight Kg / Lbs
mm	inch	A	B	C	
50	2	155 / 6 ⁷ / ₈	75 / 2 ¹⁵ / ₁₆	78 / 3 ¹ / ₁₆	3.1 / 6.8

Groove adapters supplied on request.

Each groove adapter will add 30 mm (1¹/₈ inch) to the length / height dimensions according to its location.

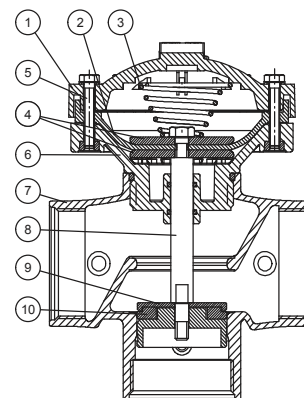
Threaded connections:

Female - NPT / BSP



Materials:

Part	Standard	High Pressure	Optional
1. Bonnet	GRP	Aluminum	SST
2. Diaphragm	NR	NR	EPDM
3. Spring	SST 302	SST 302	SST 316
4. Diaphragm discs	Brass	Brass	SST 316
5. Screws	SST 302	SST 302	SST 316
6. Operator Body	GRP	Brass	SST
7. Body	Brass	Brass	SST
8. Shaft	SST 304	SST 304	SST 316
9. Plug assy.	Brass	Brass	SST
10. Seals	NBR	NBR	Viton



Hydraulic performance:

Model		51	52
Size		2 X 2	2 X 2
Max. recommended flow at filtering	m ³ /h	40	40
	gpm	176	176
Max. recommended flow at flushing	m ³ /h	40	40
	gpm	176	176
Flow rate factor at filtering	Kv (metric)	43	52
	Cv (US)	50	60
Flow rate factor at flushing	Kv (metric)	40	37
	Cv (US)	45	43

Operating pressure range:

Standard model: 0.7 - 10 bar / 10 - 150 psi

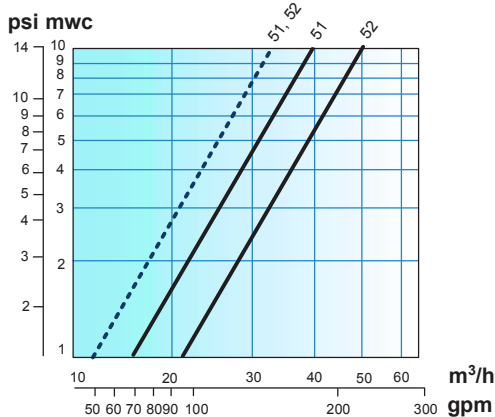
High Pressure model: 0.7 - 16 bar / 10 - 250 psi

Maximal operating temperature:

Standard models - 60°C (140°F)

Hot water model - 90°C (195°F)

Head loss chart:



Filtration mode —————

Flushing mode - - - - -

Main parts:

1. Bonnet
2. Spring
3. Diaphragm & actuator kit
4. Body
5. Grooved connection adapter

